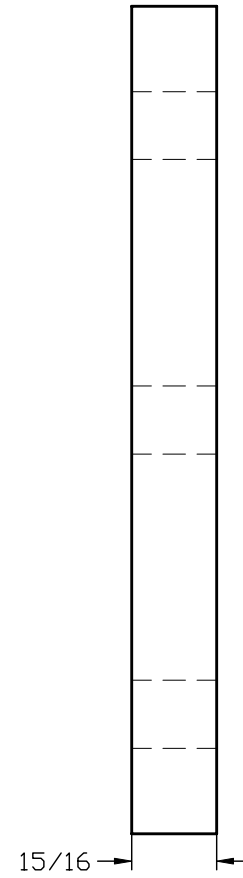
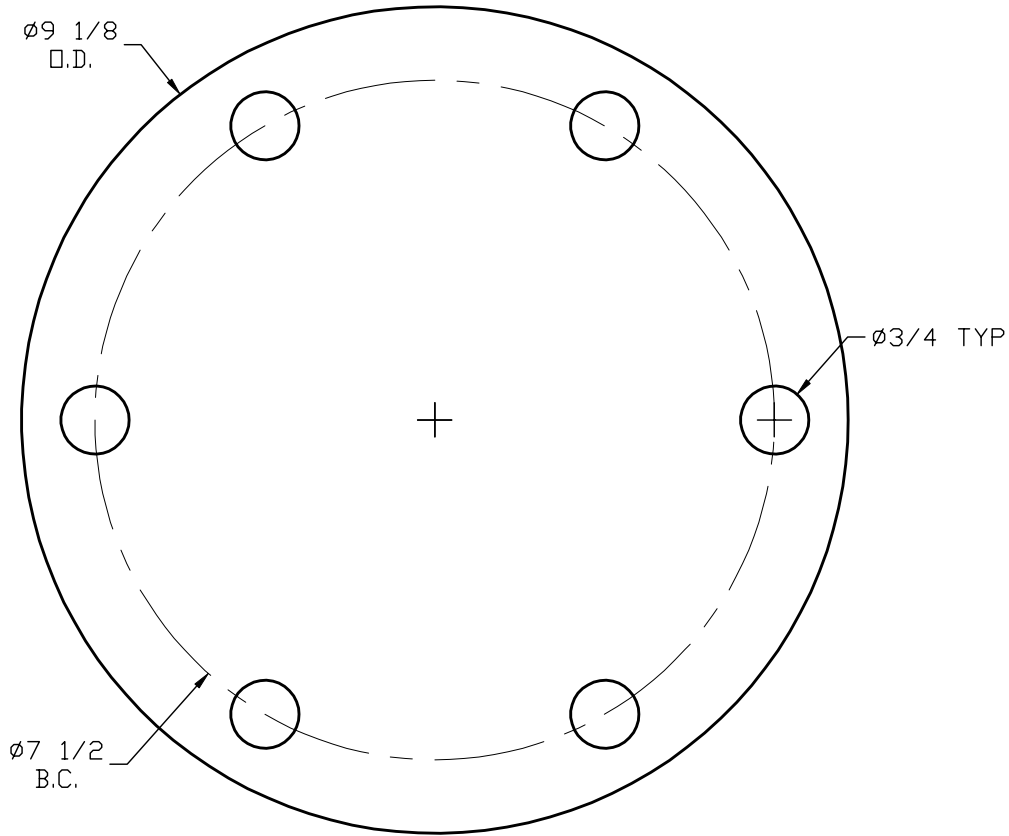
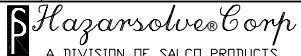

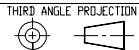


SALES DRAWING



SALES DRAWING

UNLESS OTHERWISE SPECIFIED DIMENSIONAL TOLERANCES		 	
FRACTIONAL	+1/16 -0.03	DRAWN BY: ACC	CHKD BY: [] SCALE: 1:1
X.XXX	+0.015	MATERIAL: SALCO POLYETHYLENE	APPROVAL DATE: 4-20-04
X.XXX	+0.015	PART NAME: BLIND FLANGE 4" 150#	
ANGULAR	±1°	PROJECT #030708	PROTOTYPE AND DATE: []
<small>THIS PRINT, PROPERTY OF SALCO PRODUCTS INC. CONTAINS PROPRIETARY INFORMATION AND MUST NOT BE COPIED, REPRODUCED, OR USED RETRIBUTIVELY TO OUR INTEREST.</small>		DRAWING #: C19146	APPROVED FOR PRODUCTION: ACC
<small>THIRD ANGLE PROJECTION</small> 		PART #: HS41506BFP	